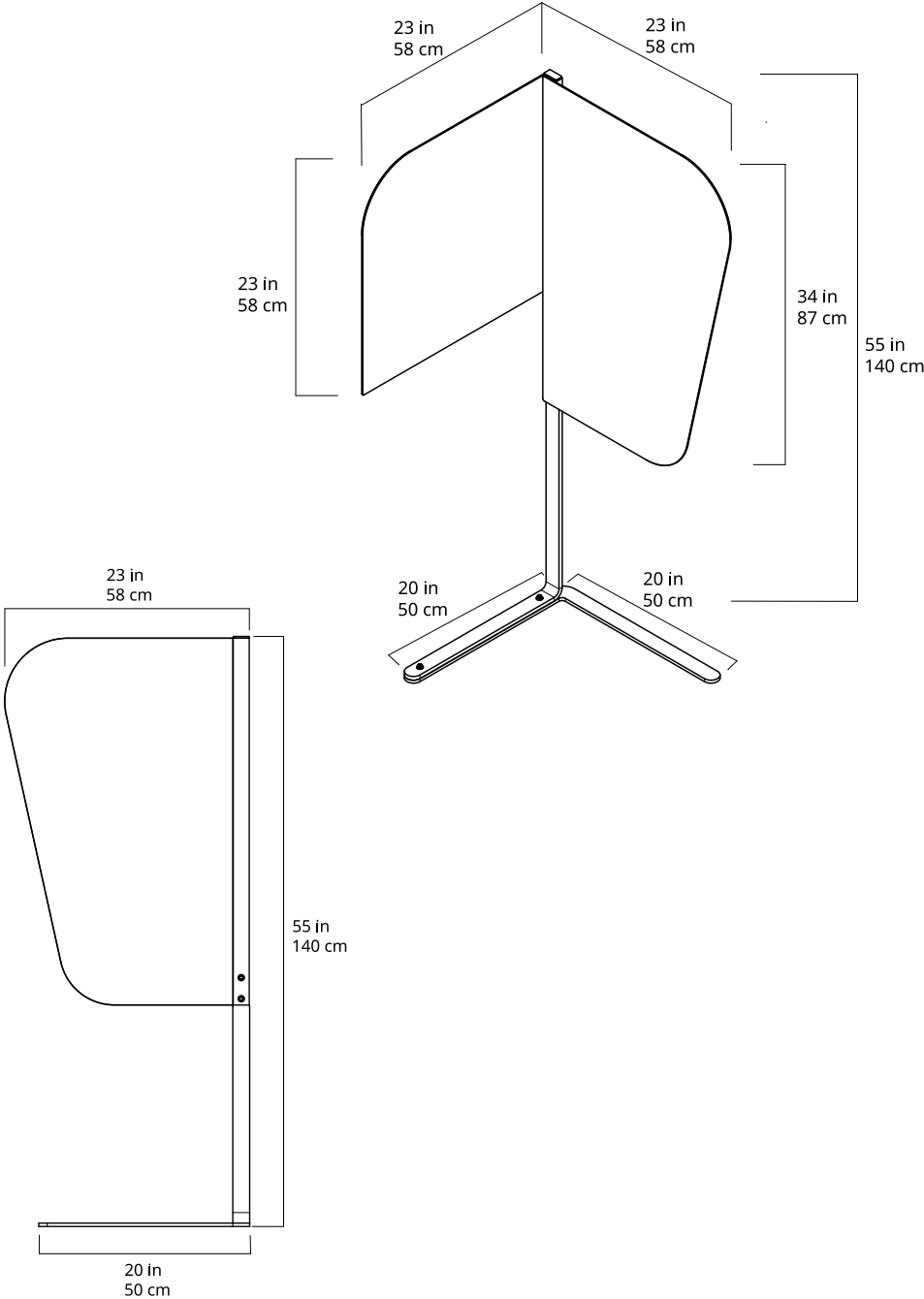
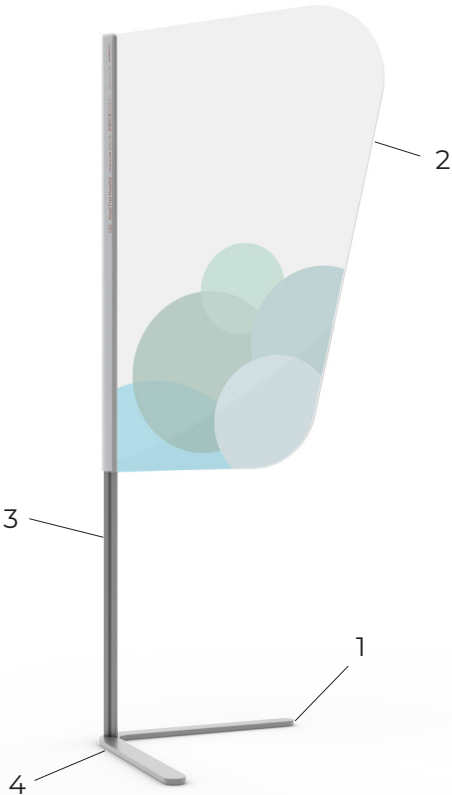


Dimensions



Product Details



- 1. Freestanding
- 2. Smooth, easy to clean surface
- 3. Durable, steel frame
- 4. Anti-slip feet

Cleaning your KwickScreen



KwickScreens have been designed in line with infection control guidelines. All our screens are quick and easy to clean using standard hospital cleaning agents.

Everyday cleaning

You can clean your screen using most healthcare cleaning solutions, including:

- Quaternary
- Bleach solutions
- Disinfectant
- Virucidal disinfectants
- Hypochlorite at 1,000 — 10,000 ppm or 60% alcohol solution
- UV light
- Hydrogen peroxide

Stubborn stains

If normal cleaning does not remove all the stains, the following cleaning agents may be used at room temperature with care:

- Methyl butyl alcohol
- Naptha VM&P
- Ethyl alcohol
- Isopropyl alcohol



Care should be taken with printed panels when using alcohol based agents.

Deep cleaning

To deep clean, fully extend the screen and clean inside the body. When cleaning your KwickScreen do not use:



Any sharp instruments or razor blades to scrape the surface



Wax polishes



Products with an abrasive surface such as steel wool



Greases or oils

Composition

	Steel	Aluminium	Polycarbonate	Other plastics
Shield	74%	5%	20%	1%

95%+ of this product can be recycled.

All our products meet international fire regulations

EU & UK: EN13501-1: 2018 - Euroclass B - s1 - d0

US: ASTM E 84 - Class A



All KwickScreen's come with a 2 year manufacturer's guarantee on parts.