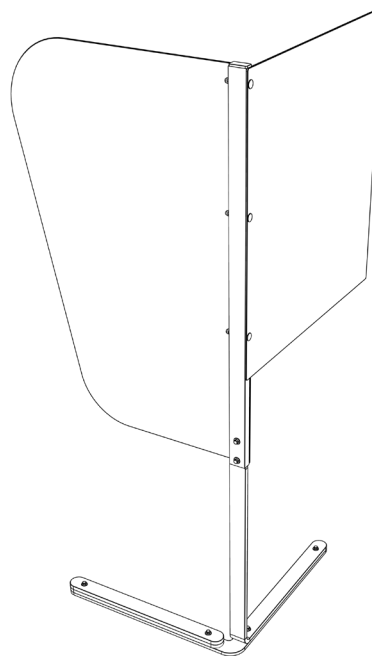
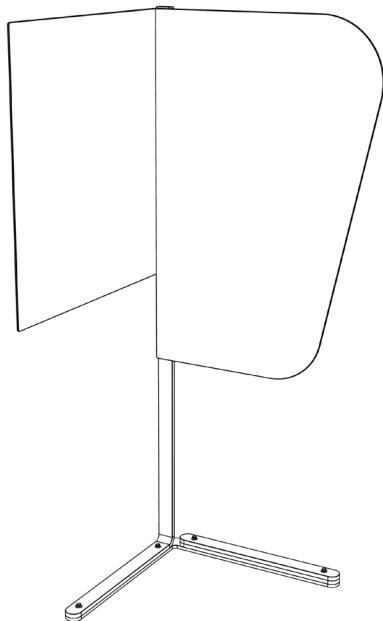
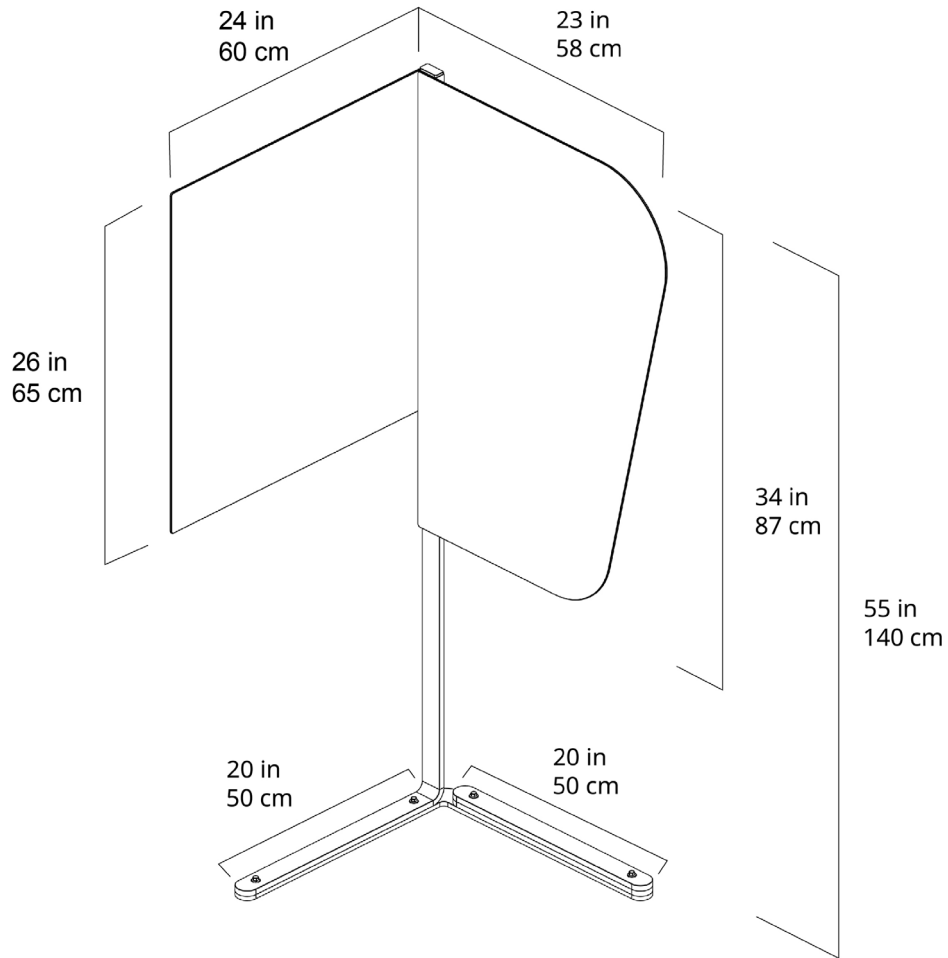


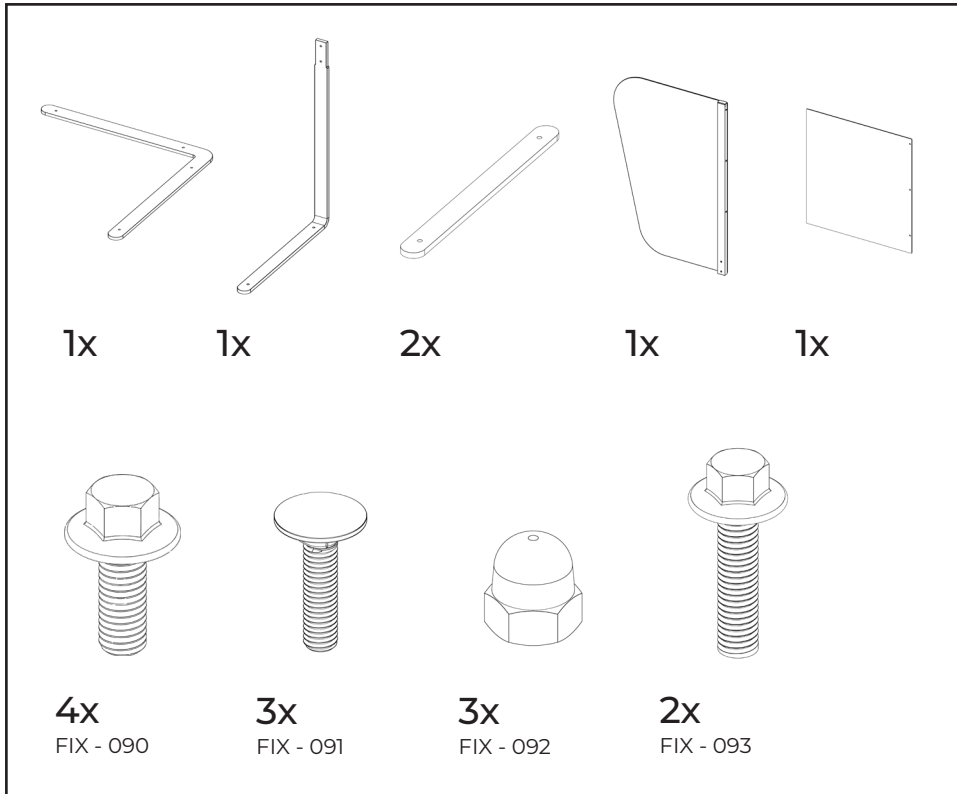
KWICSCREEN®

Dual Shield V2 Assembly Manual

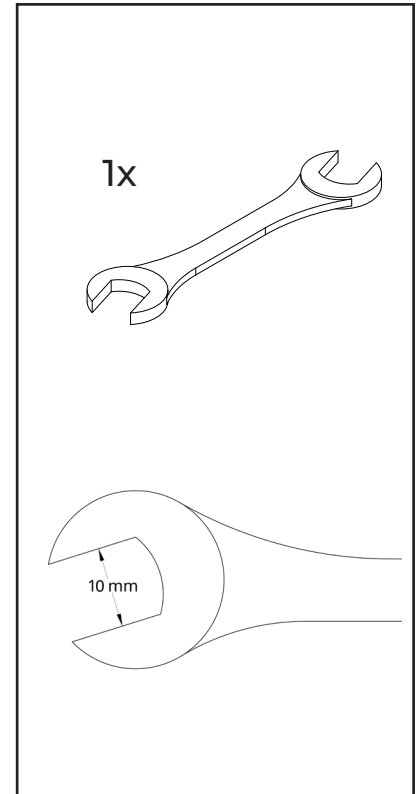




Included



Not Included



General Instructions

Thank you for purchasing your KwickScreen, we hope it helps you make your space cleaner, safer and more flexible.

Before you set your screen up, please make sure to read through the following instructions.



1. Parts:

Please only use parts approved by KwickScreen. Before installing your screen, make sure all parts are present, complete and without defects. If you think some parts are missing, please get in touch.

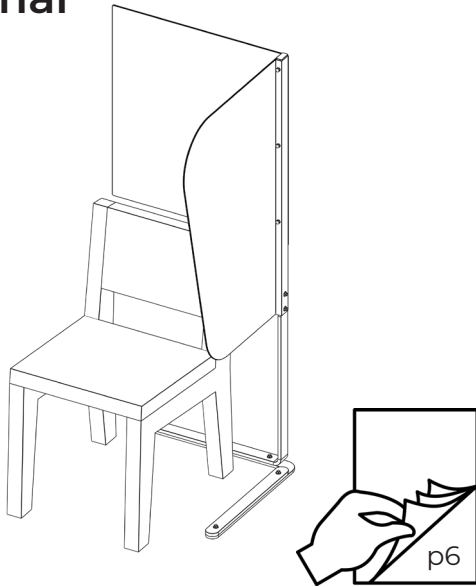


2. Packaging:

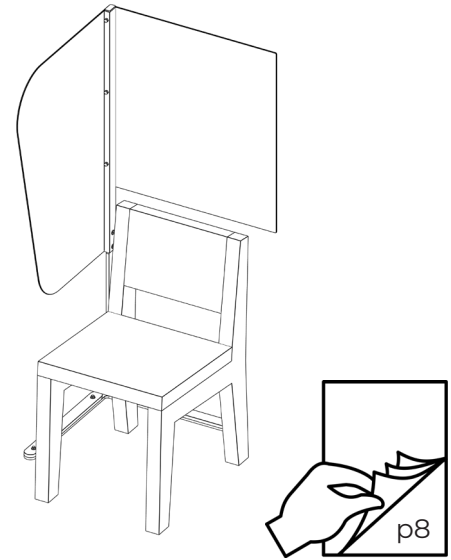
Please take care to dispose of, or recycle any packaging material according to local regulations.

1 Choose the Configuration

Normal

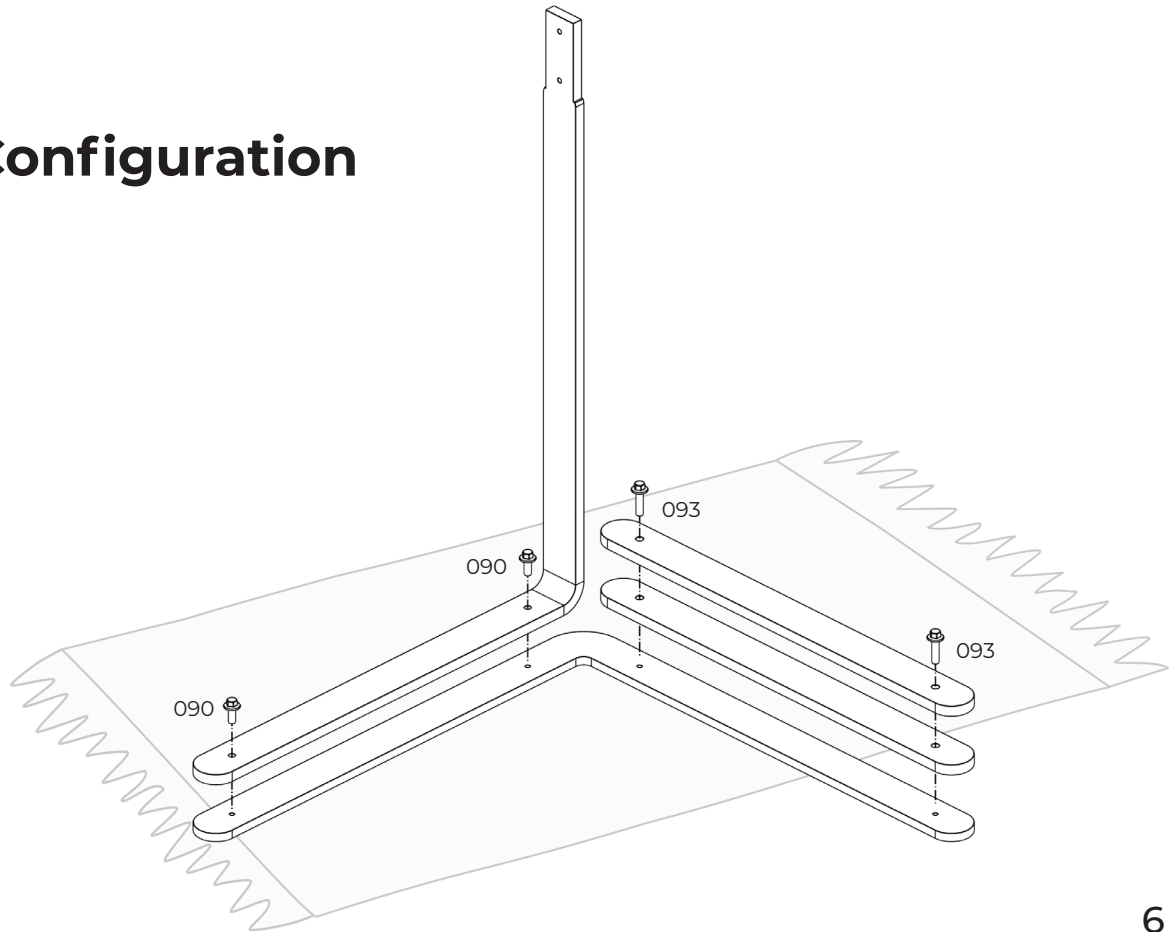


Mirrored

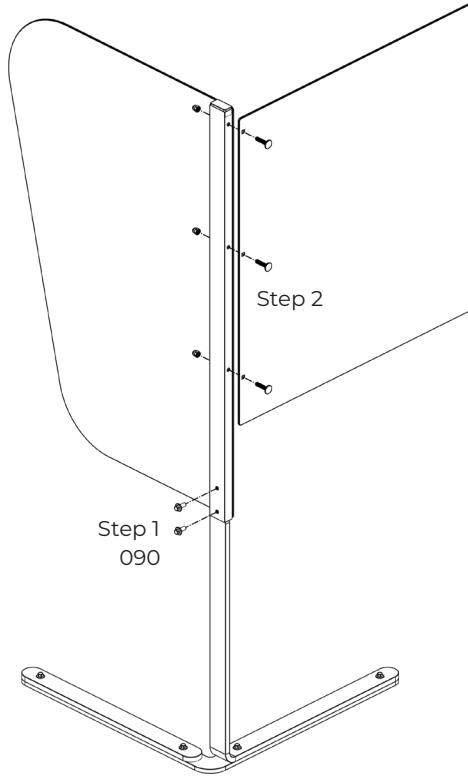


2a

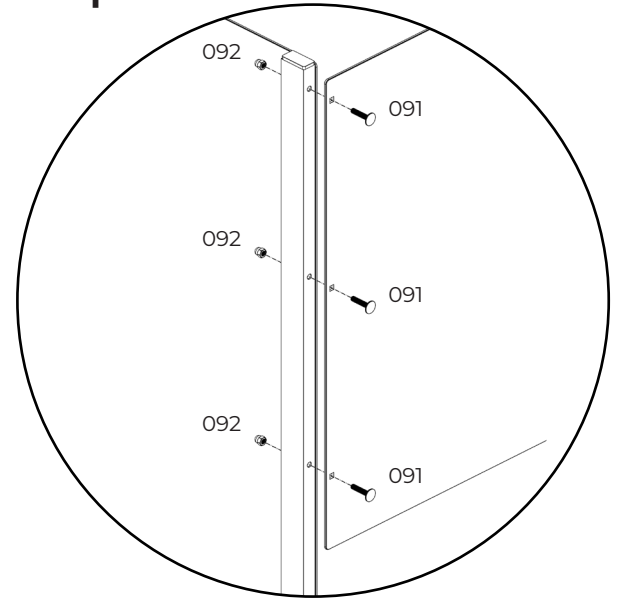
Normal Configuration



3a

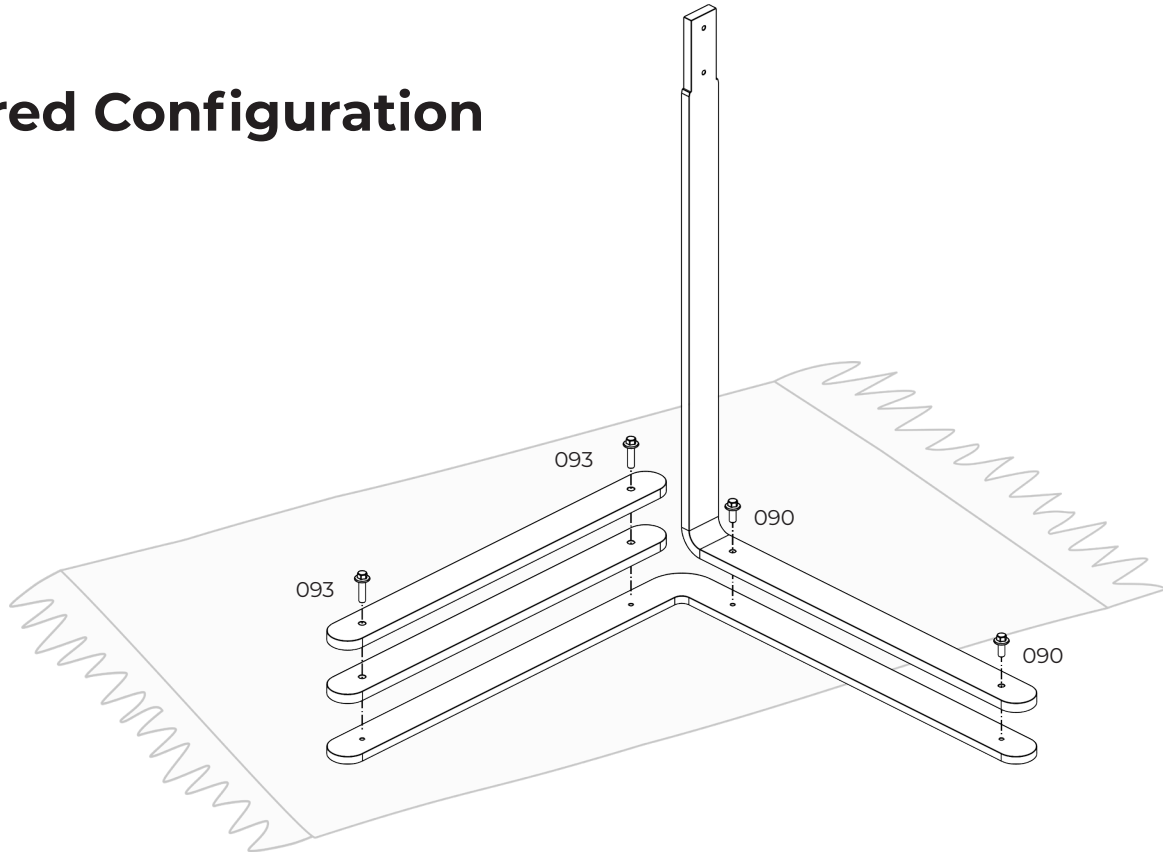


Step 2

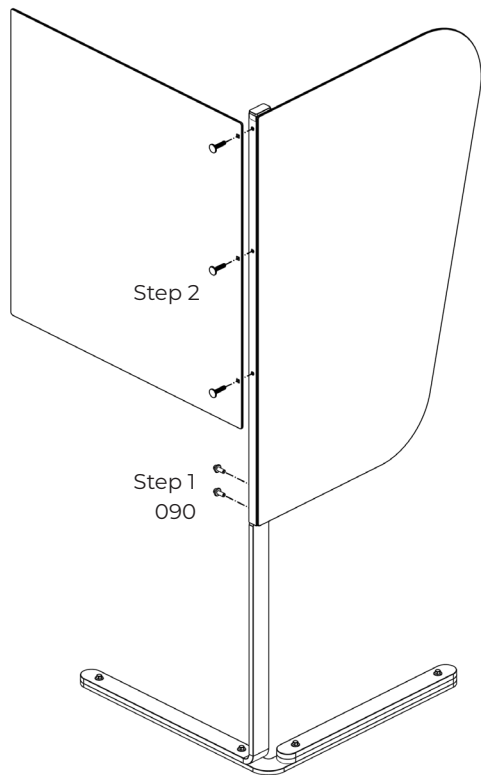


2b

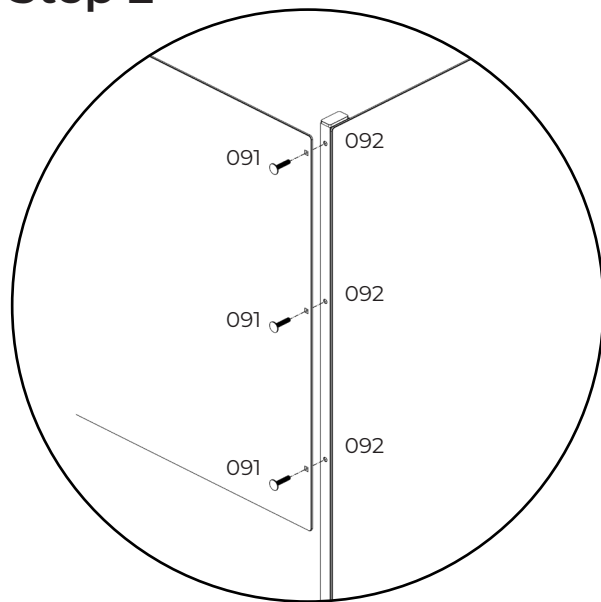
Mirrored Configuration



3b



Step 2



Cleaning your KwickScreen



KwickScreens have been designed in line with infection control performance specifications. All our screens are quick and easy to clean using standard hospital cleaning agents.

Screen composition:

- 75% steel & 20% polycarbonate

Everyday cleaning

You can sanitise your screen using most healthcare cleaning solutions, including:

- Quaternary
- Bleach solutions
- Sporicidal disinfectants
- Virucidal disinfectants
- Hypochlorite at 1,000 — 10,000 ppm or 60% alcohol solution

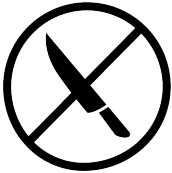
Stubborn stains

If normal cleaning does not remove all the stains, the following cleaning agents may be used at room temperature:

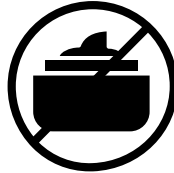
- Methyl butyl alcohol
- Naptha VM&P
- Ethyl alcohol
- Isopropyl alcohol



Care should be taken with printed panels when using alcohol based agents.



Any sharp instruments
or razor blades to
scrape the surface



Wax
polishes



Products with an
abrasive surface such
as steel wool



Greases
or oils



Do not clean in direct sunlight or at elevated temperatures

