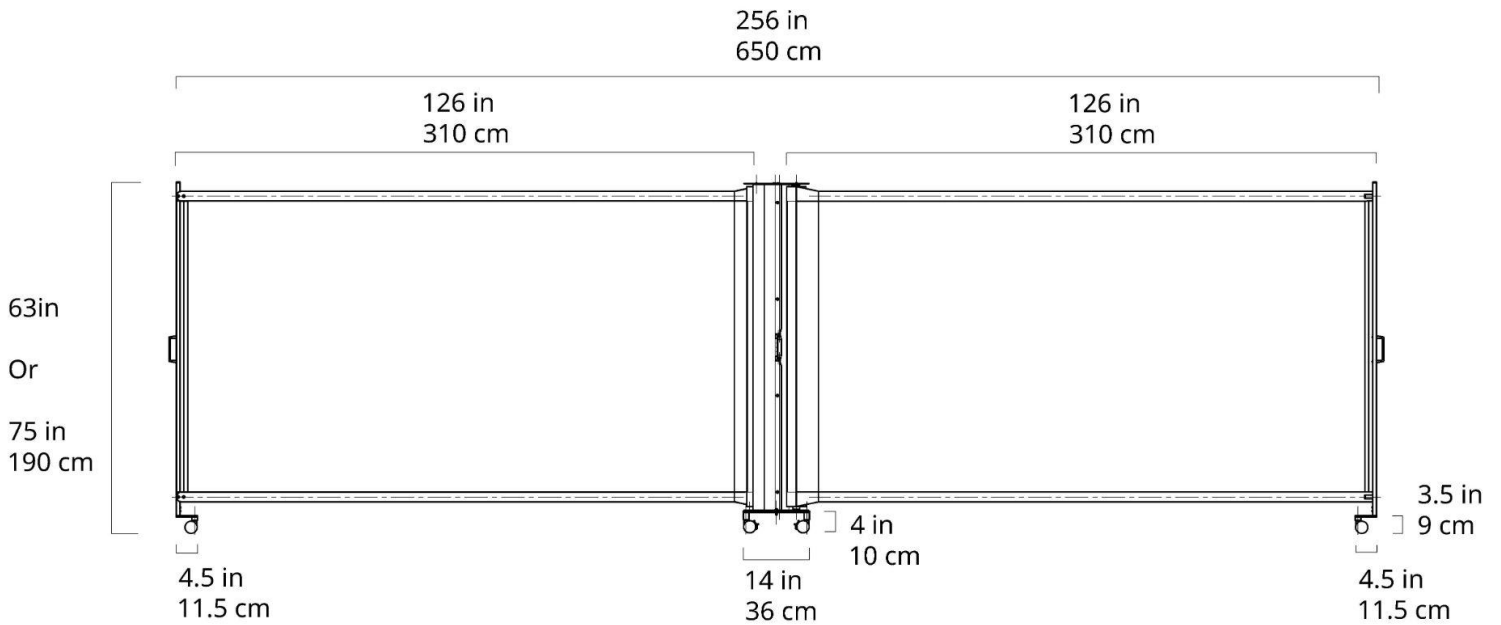




# KwickScreen Duo - Dimensions



Length Closed	Length Fully Open	Depth	Height
36 cm / 14"	650 cm / 256"	61 cm / 24"	160/190 cm / 63/75"

## Packaging Dimensions - 2 Boxes per Product

Commodity Code: 9402.90.0000

Description: Privacy partition consisting of steel body, polyester film inner panel, plastic caster wheels, steel base plate and steel castor pins.

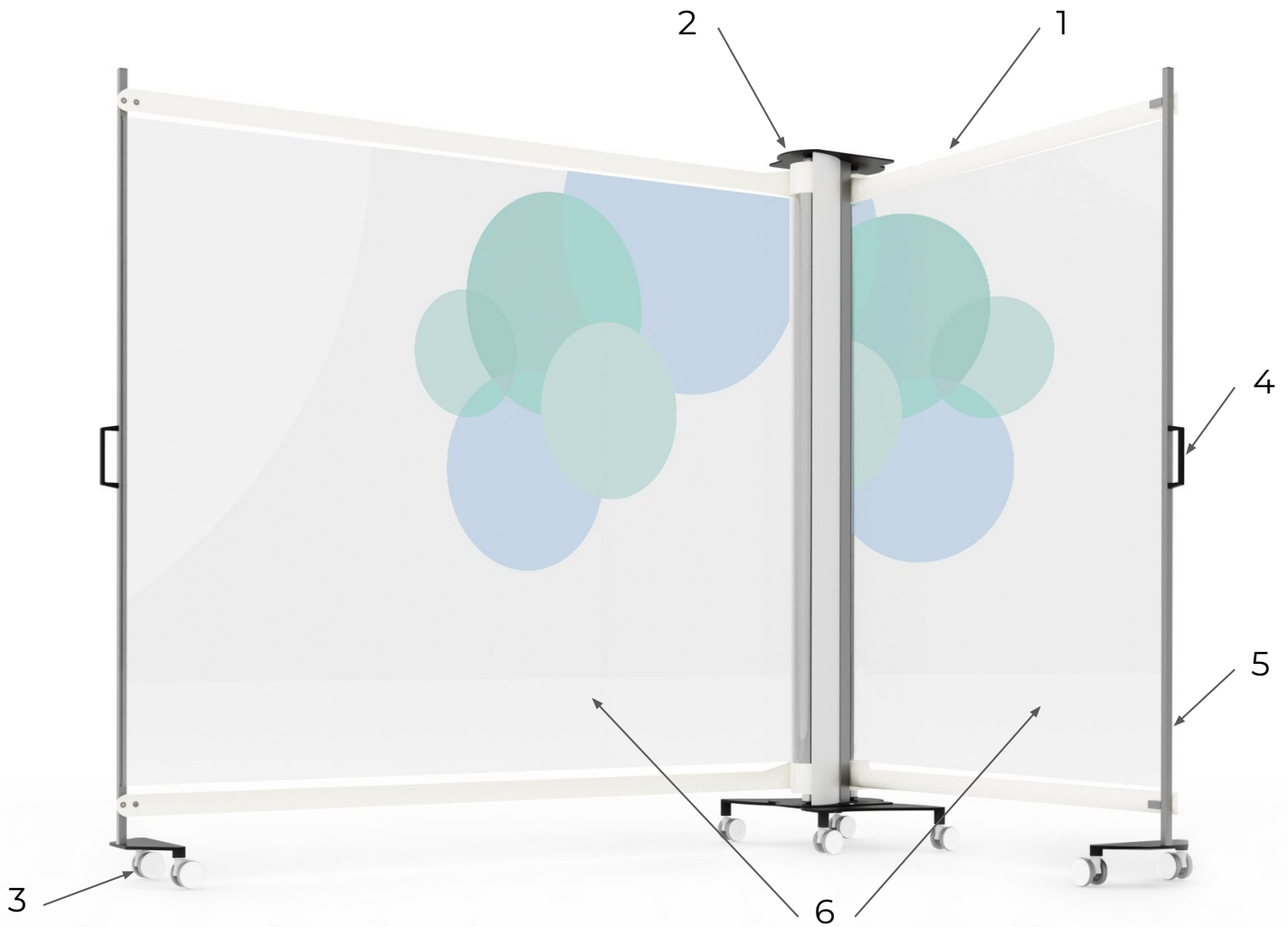
Main Box - Duo 160cm High (Box 1)	165 x 40 x 26 cm 65" x 16" x 10"	21 Kg 46.5 Lbs
Main Box - Duo 190cm High (Box 1)	199 x 40 x 26 cm 79" x 16" x 10"	23.5 Kg 52 Lbs
Duo Base Box (Box 2)	56 x 48 x 9 cm 22" x 20" x 4"	16 Kg 35.5 Lbs

US: +1 (202) 738-4044 UK: +44 20 8452 5975  
KwickScreen, 30 Engate, London, UK, SE13 7HA

Company no: 06812775 VAT Registration: GB976105311

**KWICKSCREEN**  
MAKING SPACES

# KwickScreen Duo - Product Details



1. Patented C-Tube technology
2. Powder coated steel frame
3. Medical grade castors
4. Aluminium spine
5. Steel uprights that close into main body
6. 2x 3 meter screens

US: +1 (202) 738-4044 UK: +44 20 8452 5975  
KwickScreen, 30 Engate, London, UK, SE13 7HA

Company no: 06812775 VAT Registration: GB976105311

**KWICKSCREEN**  
MAKING SPACES

# Cleaning your KwickScreen



KwickScreens have been designed in line with infection control guidelines. All our screens are quick and easy to clean using standard hospital cleaning agents.

## Everyday cleaning

You can clean your screen using most healthcare cleaning solutions, including:

- Quaternary
- Bleach solutions
- Disinfectant
- Virucidal disinfectants
- Hypochlorite at 1,000 — 10,000 ppm or 60% alcohol solution
- UV light
- Hydrogen peroxide

## Stubborn stains

If normal cleaning does not remove all the stains, the following cleaning agents may be used at room temperature with care:

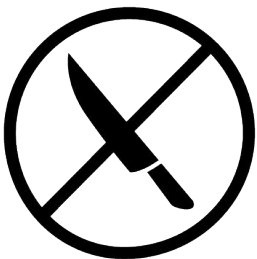
- Methyl butyl alcohol
- Naptha VM&P
- Ethyl alcohol
- Isopropyl alcohol



Care should be taken with printed panels when using alcohol based agents.

## Deep cleaning

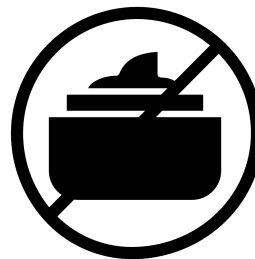
To deep clean, fully extend the screen and clean inside the body. When cleaning your KwickScreen do not use:



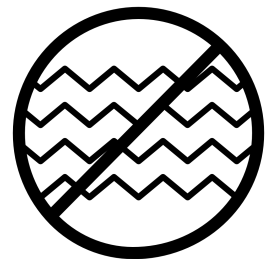
Any sharp instruments or razor blades to scrape the surface



Greases or oils



Wax polishes



Products with an abrasive surface such as steel wool

# Materials and Warranty

Material breakdown:

Composite	uPVC (white material) Polyester (clear material)	Steel	Aluminium	ABS/Plastics	Fixings
6%	10%	60%	9%	12%	2%

95%+ of this product can be recycled (inc packaging)

## All our products meet international fire regulations

EU & UK: EN13501-1: 2018 - Euroclass B - s1 - d0

US: ASTM E 84 - Class A

## Warranty

All KwickScreens come with a 2 year manufacturers guarantee on parts.  
Spare part lists are available from KwickScreen or your local reseller.



This warranty excludes damage caused by misuse such as bending the panel of the screen in a way it is not intended. Please contact your local reseller or KwickScreen for further information.