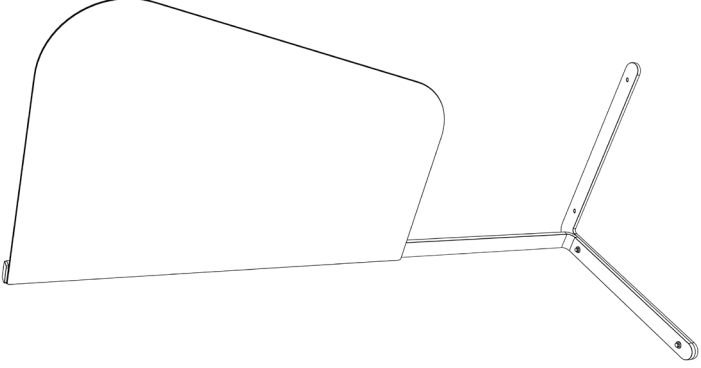
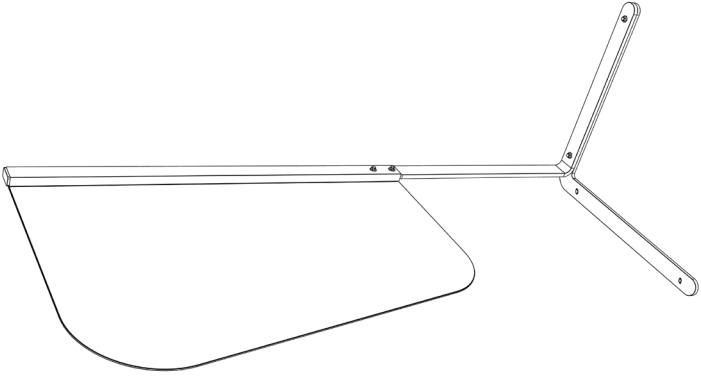
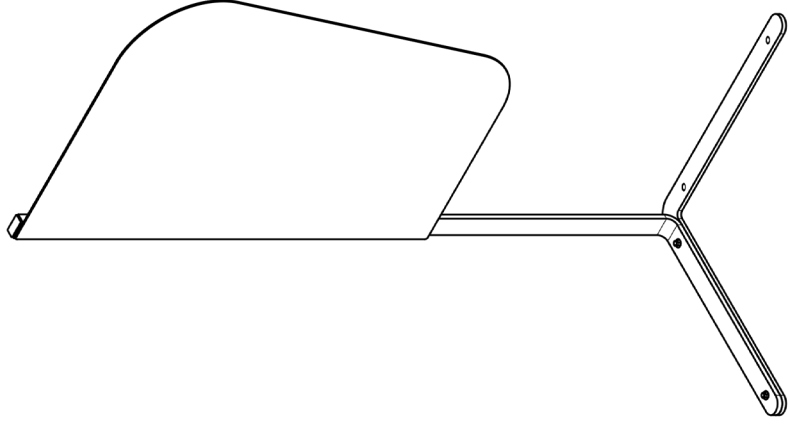
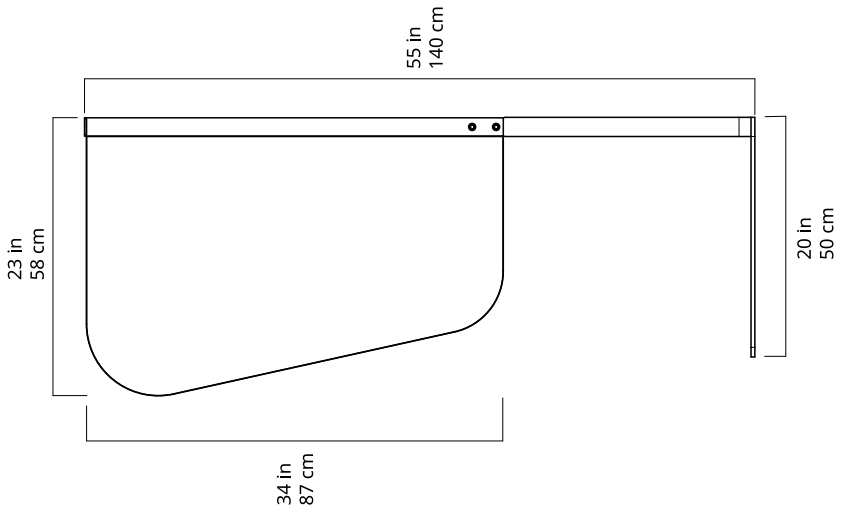


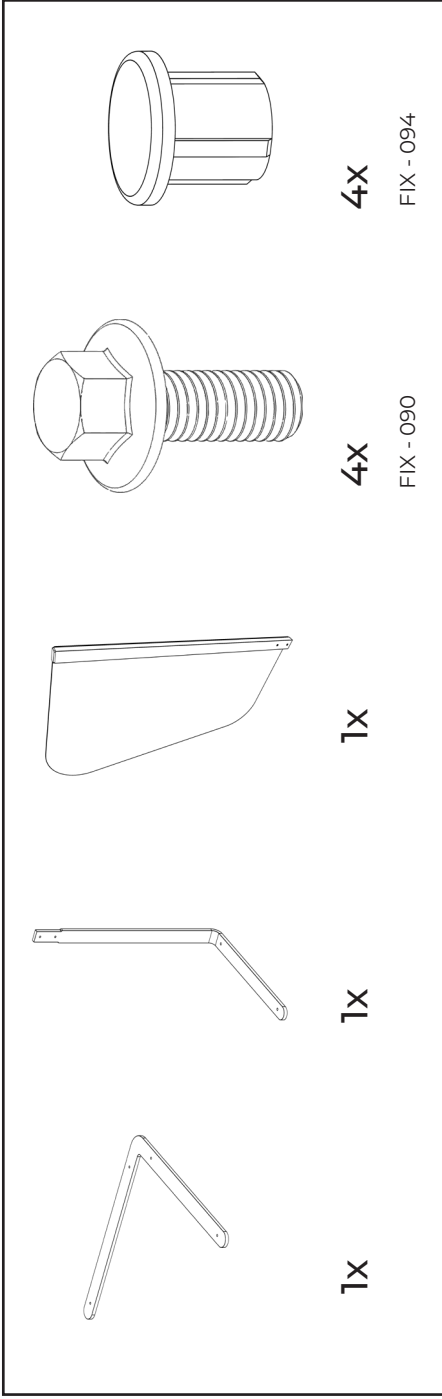
# KWICKSCREEN®

## Single Shield V2 Assembly Manual

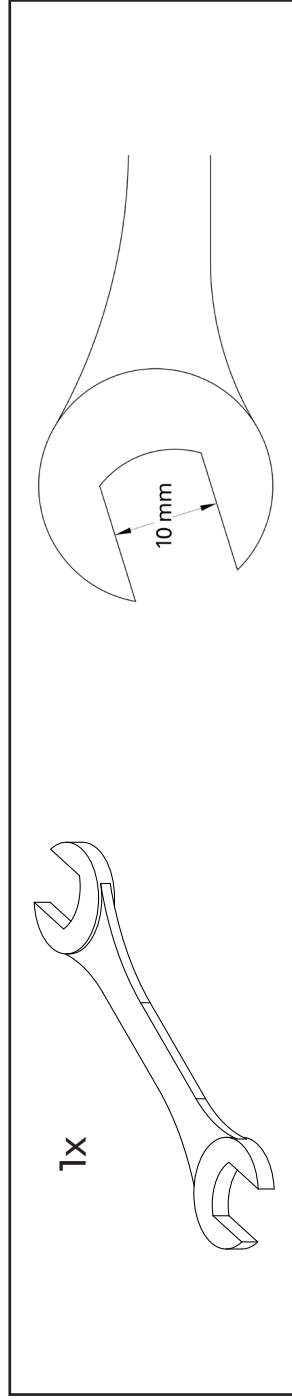




**Included**



**Not Included**



# General Instructions

Thank you for purchasing your KwickScreen, we hope it helps you make your space cleaner, safer and more flexible.

Before you set your screen up, please make sure to read through the following instructions.



## 1. Parts:

Please only use parts approved by KwickScreen. Before installing your screen, make sure all parts are present, complete and without defects. If you think some parts are missing, please get in touch.

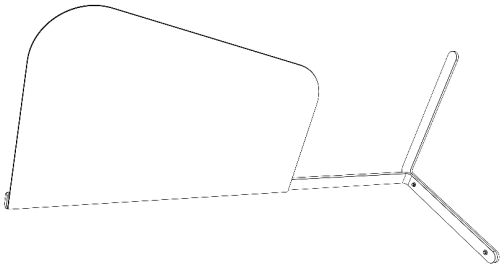


## 2. Packaging:

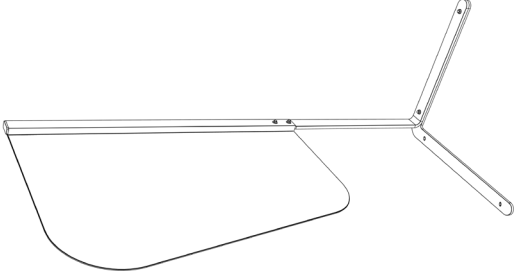
Please take care to dispose of, or recycle any packaging material according to local regulations.

# 7 Choose the configuration

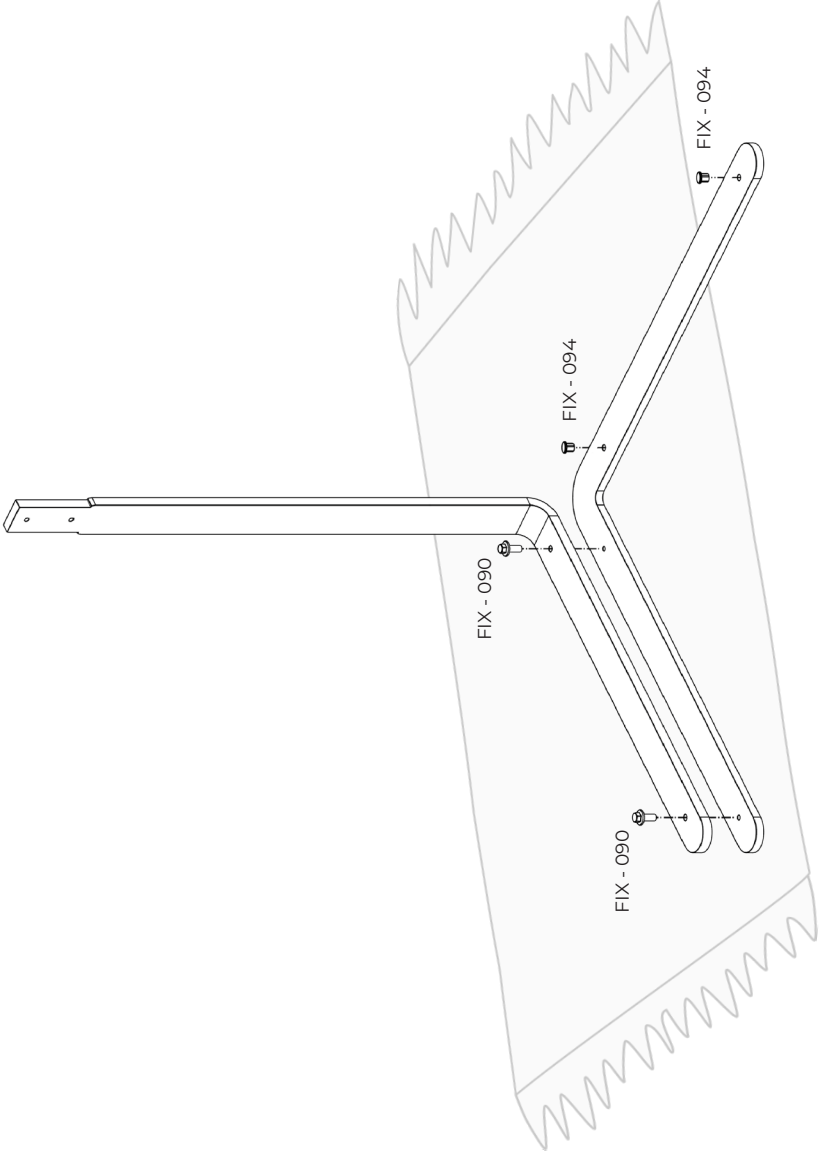
Normal



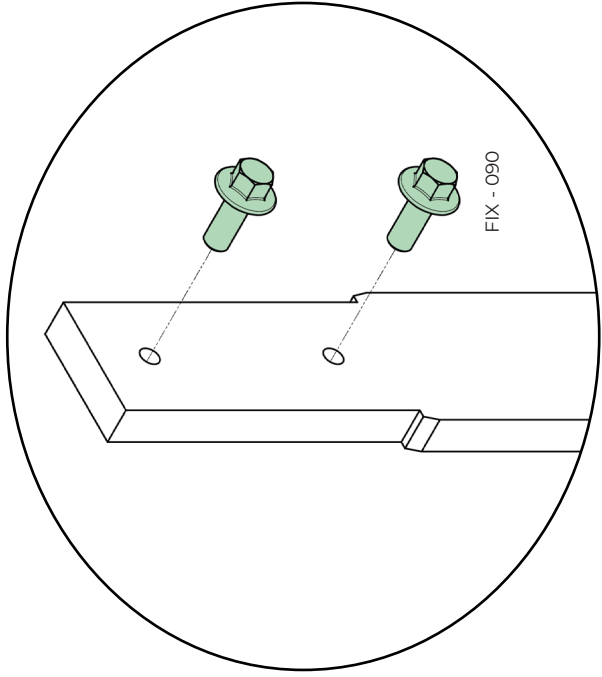
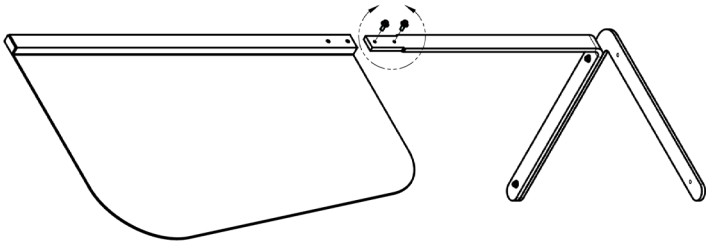
Mirrored



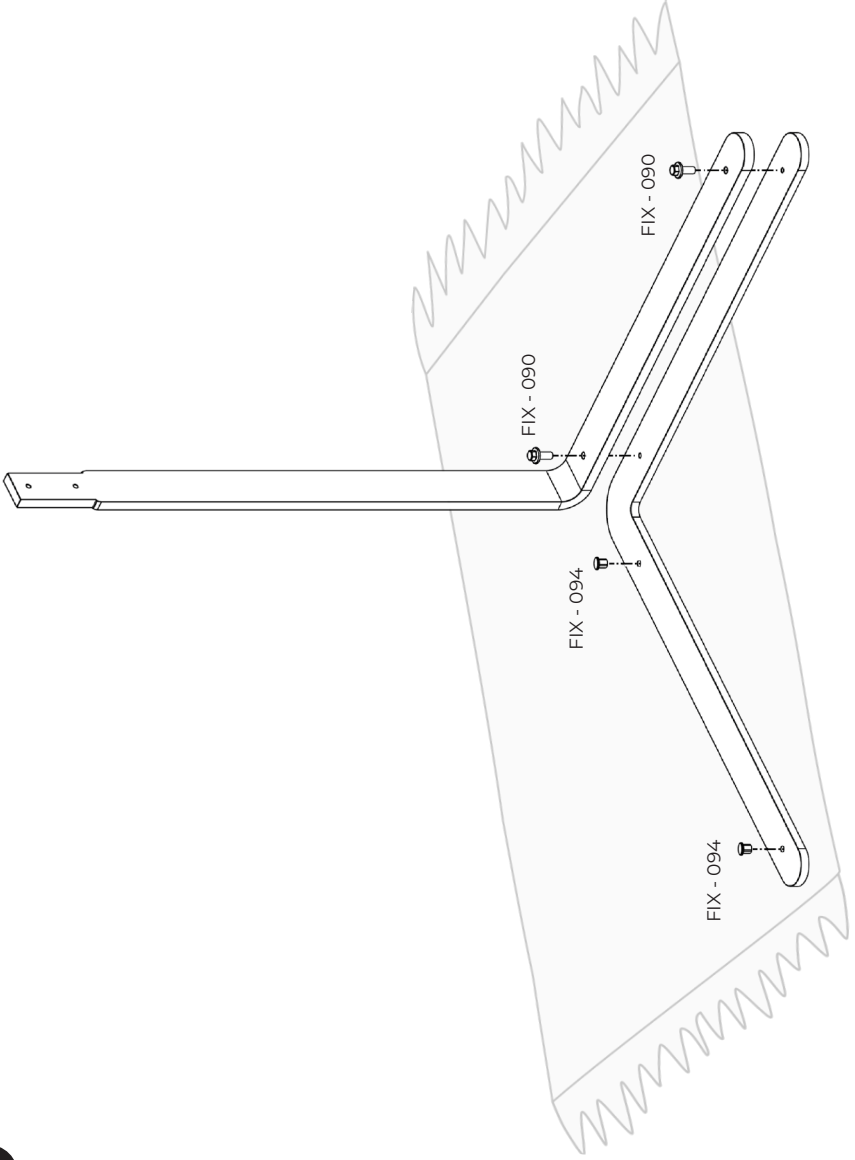
# 2a Normal Configuration



3a

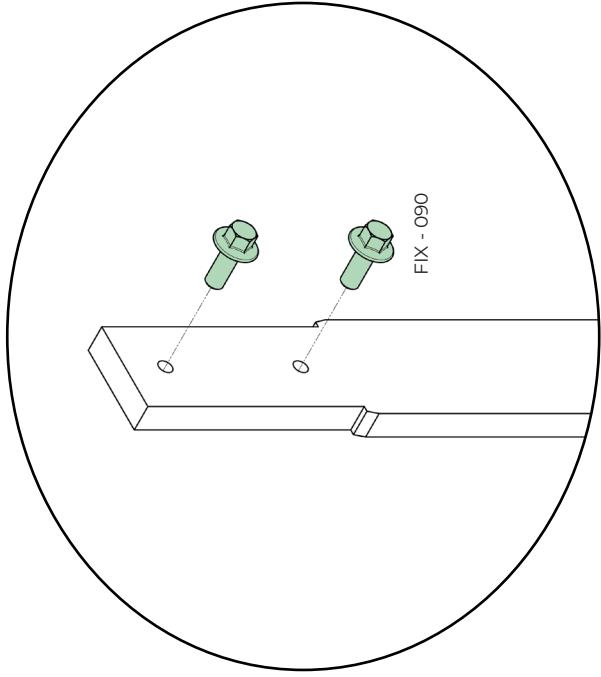
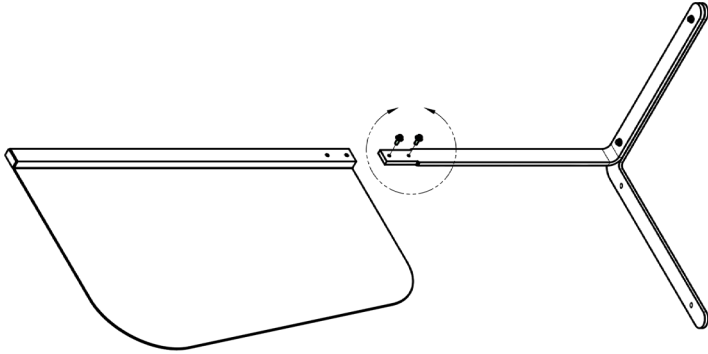


# 2b Mirrored Configuration





3b



# Cleaning your KwickScreen



KwickScreens have been designed in line with infection control performance specifications. All our screens are quick and easy to clean using standard hospital cleaning agents.

## Screen composition:

- 75% steel & 20% polycarbonate

## Everyday cleaning

You can sanitise your screen using most healthcare cleaning solutions, including:

- Quaternary
- Bleach solutions
- Sporicidal disinfectants
- Virucidal disinfectants
- Hypochlorite at 1,000 — 10,000 ppm or 60% alcohol solution

## Stubborn stains

If normal cleaning does not remove all the stains, the following cleaning agents may be used at room temperature:

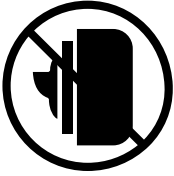
- Methyl butyl alcohol
- Naptha VM&P
- Ethyl alcohol
- Isopropyl alcohol



*Care should be taken with printed panels when using alcohol based agents.*



Any sharp instruments  
or razor blades to  
scrape the surface



Wax  
polishes



Products with an  
abrasive surface such  
as steel wool



Greases  
or oils



*Do not clean in direct sunlight or at elevated temperatures*