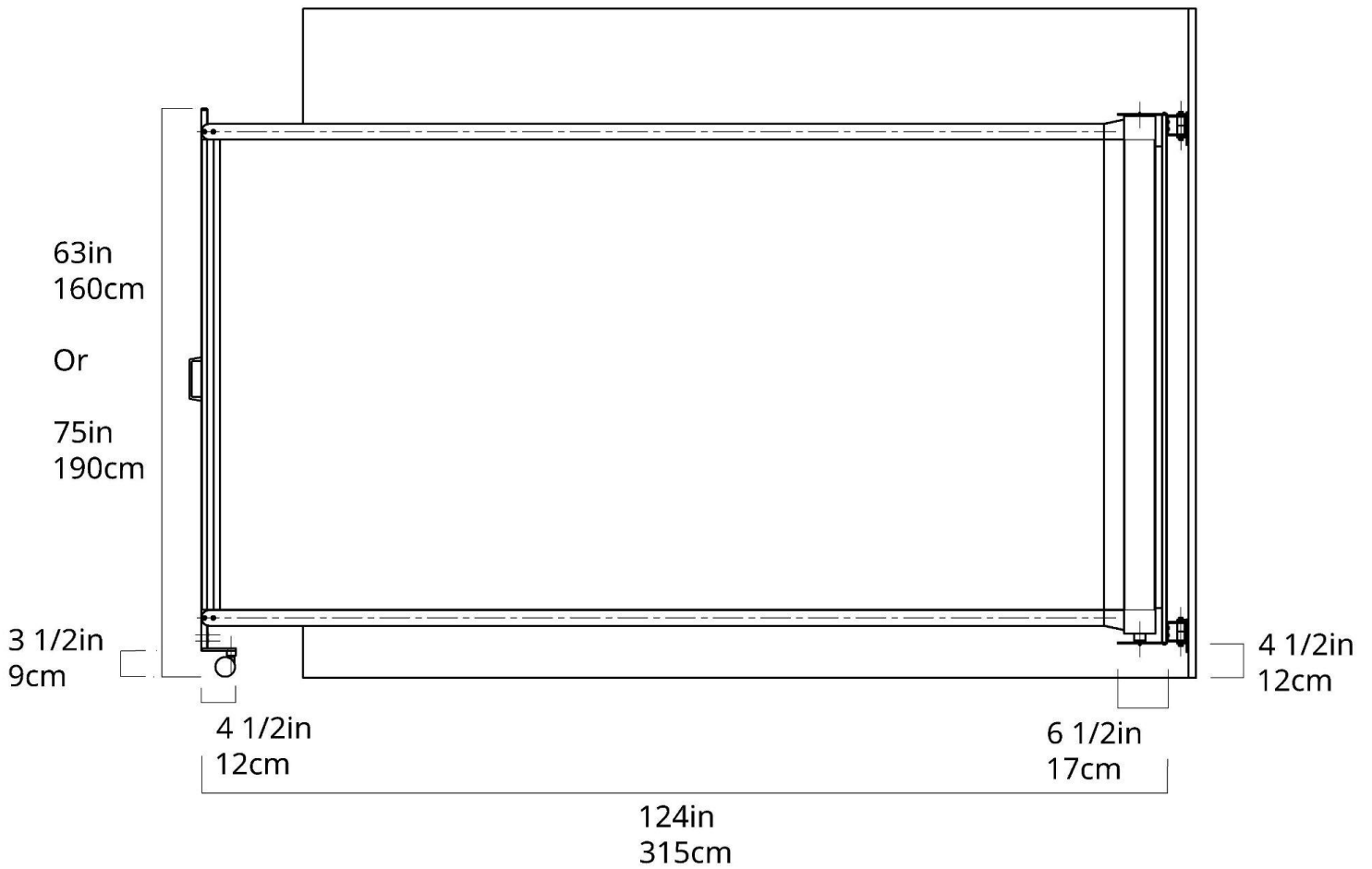




KwickScreen Air - Dimensions



Length Closed	Length Fully Open	Depth	Height
17 cm	315 cm	31 cm	160/190 cm

Packaging Dimensions - 1 Boxes per Product

Commodity Code: 9402.90.0000

Description: Privacy partition consisting of steel body, polyester film inner panel, plastic caster wheels, steel base plate and steel castor pins.

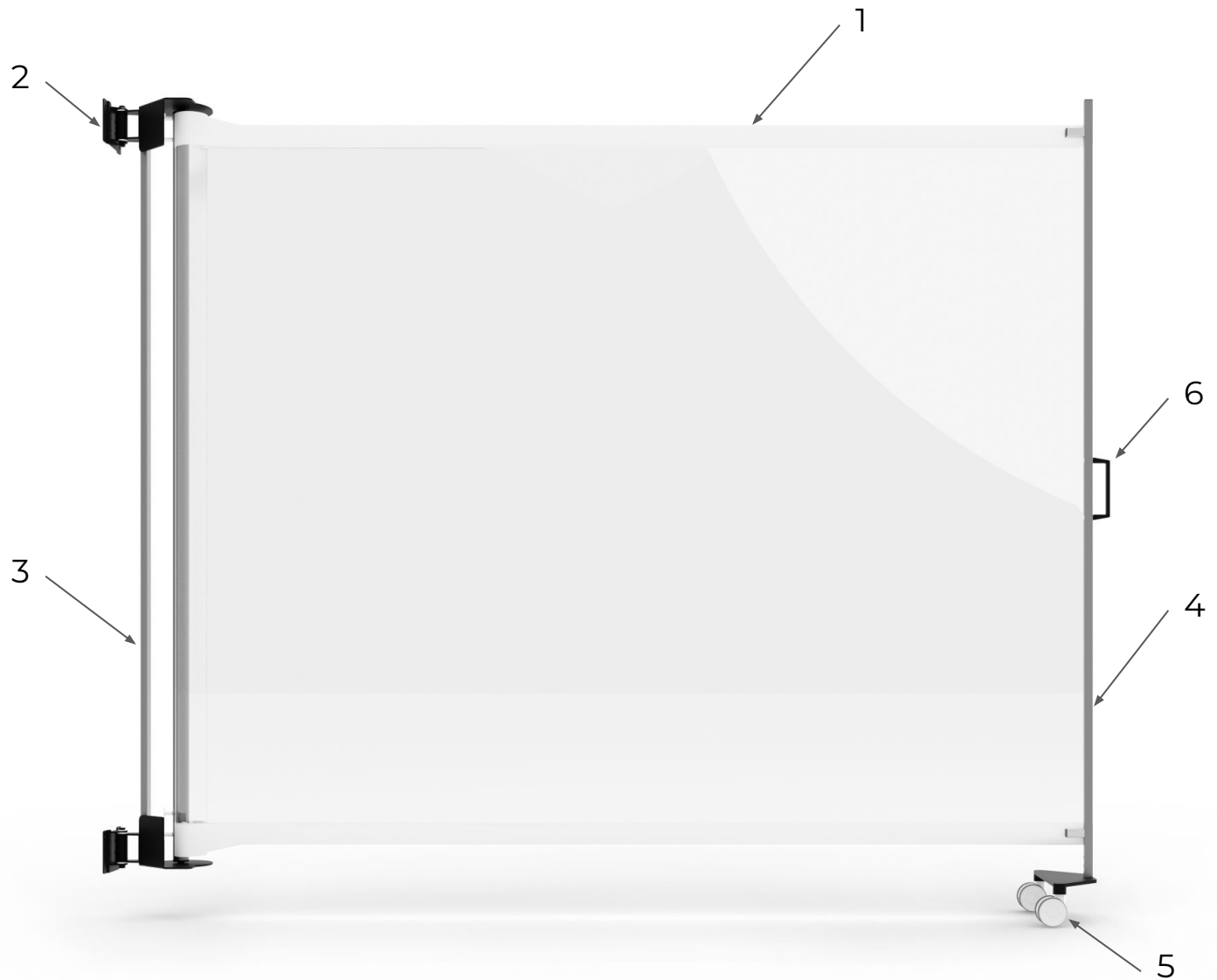
Main Box - Air 160cm High (1)	165 x 26 x 26 cm 5'5" x 11" x 11"	16.5 Kg 36.5lb
Main Box - Air 190cm High (1)	199 x 26 x 26 cm 6'5" x 11" x 11"	18.5 Kg 41 lb

US: +1 (202) 738-4044 UK: +44 20 8452 5975
KwickScreen, 30 Engate, London, UK, SE13 7HA

Company no: 06812775 VAT Registration: GB976105311

KWICKSCREEN
MAKING SPACES

KwickScreen Air - Product Details



1. Patented C-Tube technology
2. Adjustable brackets to suit different uses
3. Aluminium spine
4. Powder coated steel frame
5. Medical grade castors
6. Single touch point handle

US: +1 (202) 738-4044 UK: +44 20 8452 5975
KwickScreen, 30 Engate, London, UK, SE13 7HA

Company no: 06812775 VAT Registration: GB976105311

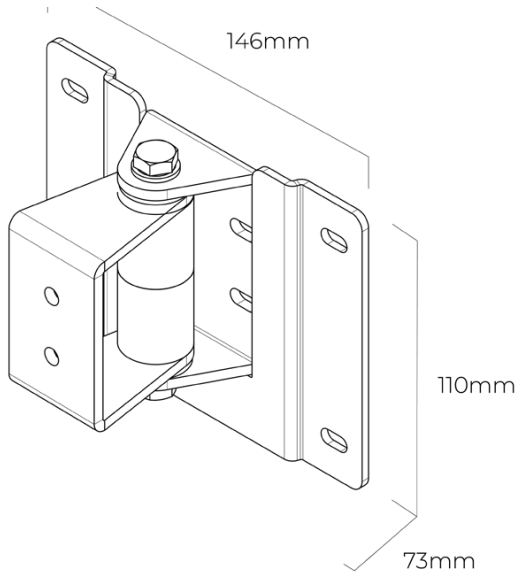
KWICKSCREEN
MAKING SPACES

KwickScreen Air - Bracket Options

The Air unit has different bracket options available to suit every need.

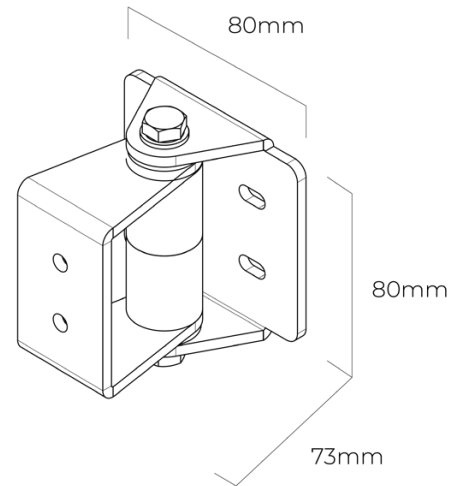
Pivot bracket w/ quick release

- Used to clear trunking
- Pivot and quick release



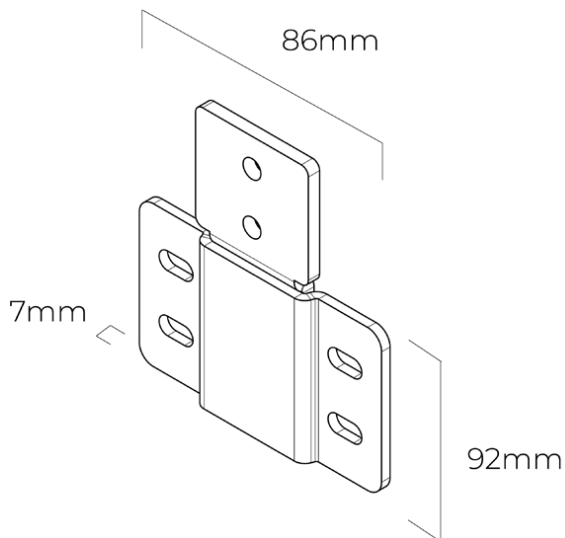
Pivot bracket

- Smaller footprint
- Fixed directly to wall (no quick release)



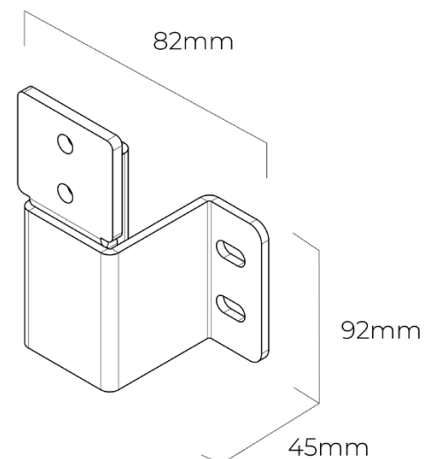
Flush to wall mount

- Holds unit flush to wall



Static offset bracket

- Holds the unit off the wall with no pivot



Cleaning your KwickScreen



KwickScreens have been designed in line with infection control guidelines. All our screens are quick and easy to clean using standard hospital cleaning agents.

Everyday cleaning

You can clean your screen using most healthcare cleaning solutions, including:

- Quaternary
- Bleach solutions
- Disinfectant
- Virucidal disinfectants
- Hypochlorite at 1,000 — 10,000 ppm or 60% alcohol solution
- UV light
- Hydrogen peroxide

Stubborn stains

If normal cleaning does not remove all the stains, the following cleaning agents may be used at room temperature with care:

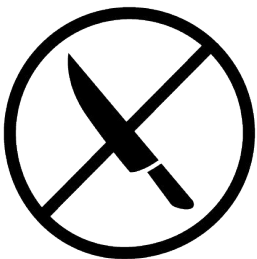
- Methyl butyl alcohol
- Naptha VM&P
- Ethyl alcohol
- Isopropyl alcohol



Care should be taken with printed panels when using alcohol based agents.

Deep cleaning

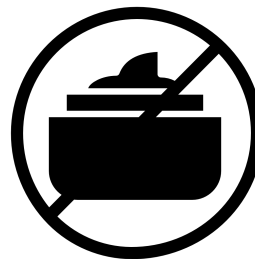
To deep clean, fully extend the screen and clean inside the body. When cleaning your KwickScreen do not use:



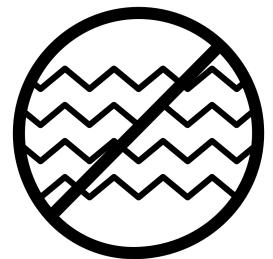
Any sharp instruments or razor blades to scrape the surface



Greases or oils



Wax polishes



Products with an abrasive surface such as steel wool

Materials and Warranty

Material breakdown:

Composite	uPVC (white material) Polyester (clear material)	Steel	Aluminium	ABS/Plastics	Fixings
7%	11%	52%	16%	13%	1%

95%+ of this product can be recycled (inc packaging)

All our products meet international fire regulations

EU & UK: EN13501-1: 2018 - Euroclass B - s1 - d0

US: ASTM E 84 - Class A

Warranty

All KwickScreens come with a 2 year manufacturers guarantee on parts.
Spare part lists are available from KwickScreen or your local reseller.



This warranty excludes damage caused by misuse such as bending the panel of the screen in a way it is not intended. Please contact your local reseller or KwickScreen for further information.